



NEW CITY NISSAN  
HAWAII HIGH SCHOOL ATHLETIC ASSOCIATION  
42<sup>ND</sup> ANNUAL BOYS VOLLEYBALL STATE CHAMPIONSHIPS

DIVISION I – KEA`AU & WAIAKEA HIGH SCHOOLS  
MAY 11-14, 2011 (WED.-SAT.)

&

DIVISION II –McKINLEY HIGH SCHOOL & MARYKNOLL SCHOOL  
MAY 12-14, 2011 (THU.-SAT.)

NEW CITY NISSAN / HHSAA  
42<sup>ND</sup> ANNUAL VOLLEYBALL STATE CHAMPIONSHIPS  
MAY 11-14, 2011

HAWAII HIGH SCHOOL ATHLETIC ASSOCIATION

Executive Director .....Chris Chun  
Office Manager ..... Russell Aoki  
Director of Information ..... Natalie Iwamoto  
Asst. Director of Information ..... Wes Nakama  
Boys Volleyball Coordinator ..... Neal Takamori  
Officials Coordinator ..... Wayne Lee

TOURNAMENT COMMITTEE

Host Schools ..... Kea`au & Waiakea High Schools (DI)  
..... McKinley High School & Maryknoll School (DII)  
Site Directors ..... Iris McGuire, Kea`au High School  
..... Tom Correa, WaiakeaHigh School  
..... Neal Takamori, McKinley High School  
..... Patricia Heatherly, Maryknoll School  
BIIF Executive Director ..... Lyle Crozier  
OIA Executive Director (interim)..... Raymond Fujino  
ILH Executive Director ..... Don Botelho  
Pairings and Rules Committee..... Chris Chun, Neal Takamori, Wayne Lee & league representatives  
Athletic Trainers ..... BIIF & OIA  
Awards Ceremonies..... New City Nissan  
Statistics & Results ..... Wilmar Alvarado, Russell Aoki, Pakalani Bello, Ronnie Castro,  
..... Stanley Lee, Coreen Muraoka, Wes Nakama & Kyle Sakamoto

SPECIAL THANKS

New City Nissan ..... Frank Kudo, John Uekawa, Ryan Takata  
Kea`au High School..... Ron Jarvis, Principal  
..... Iris McGuire, Athletic Director  
Waiakea High School ..... Kelcy Koga, Principal  
..... Tom Correa, Athletic Director  
McKinley High School ..... Ron Okamura, Principal  
..... Neal Takamori, Athletic Director  
Maryknoll School ..... Betsey Gunderson, Principal  
..... Patricia Heatherly, Athletic Director

**NEW CITY NISSAN / HHSAA  
42<sup>ND</sup> ANNUAL BOYS VOLLEYBALL STATE CHAMPIONSHIPS  
MAY 11-14, 2011**

**TOURNAMENT INFORMATION**

**I. TOURNAMENT REPRESENTATION**

	<b>BOYS</b>	
	<b>DIVISION I</b>	<b>DIVISION II</b>
<b>OIA</b>	6	2
<b>ILH</b>	2	2
<b>BIIF</b>	2	2
<b>MIL</b>	2	1
<b>KIF</b>	0	1
<b>TOTAL</b>	12	8

**II. TOURNAMENT SCHEDULE**

**BOYS DIVISION I**

<b>DAY 1: WEDNESDAY, MAY 12</b>			
<b>MATCH</b>	<b>TIME</b>	<b>SITE</b>	<b>MATCH NOTE</b>
Match 1	5:00 PM	Kea`au H.S.	First Round Matches
Match 2	7:00 PM		
Match 3	5:00 PM	Waiakea H.S.	
Match 4	7:00 PM		
<b>DAY 2: THURSDAY, MAY 13</b>			
Match 5	3:30 PM	Kea`au H.S.	Consolation Matches
Match 6	3:30 PM	Waiakea H.S.	
Match 7	5:00 PM	Kea`au H.S.	Quarterfinal Matches
Match 8	7:00 PM		
Match 9	5:00 PM	Waiakea H.S.	
Match 10	7:00 PM		
<b>DAY 3: FRIDAY, MAY 14</b>			
Match 11	1:30 PM	Kea`au H.S.	Consolation Matches
Match 12	3:00 PM		Semifinal Matches
Match 13	5:00 PM		
Match 14	7:00 PM		
<b>DAY 4: SATURDAY, MAY 15</b>			
Match 15	12:00 PM	Kea`au H.S.	Consolation: Winners of #5 & #6
Match 16	1:30 PM		5 <sup>th</sup> Place: Winners of #11 & #12
Match 17	3:00 PM		3 <sup>rd</sup> Place: Losers of #13 & #14
Match 18	5:00 PM		Championship: Winners of #13 & #14

## BOYS DIVISION II

DAY 1: THURSDAY, MAY 13			
MATCH	TIME	SITE	MATCH NOTE
Match 1	5:00 PM	McKinley H.S.	First Round Matches
Match 2	7:00 PM		
Match 3	6:00 PM	Maryknoll School	
Match 4	7:30 PM		
DAY 2: FRIDAY, MAY 14			
Match 5	5:00 PM	McKinley H.S.	Consolation Semifinal
Match 6	7:00 PM		Semifinal Match
Match 7	6:00 PM	Maryknoll School	Consolation Semifinal
Match 8	7:30 PM		Semifinal Match
DAY 3: SATURDAY, MAY 15			
Match 9	1:30 PM	McKinley H.S.	5 <sup>th</sup> Place: Winners of #5 & #7
Match 10	3:00 PM		3 <sup>rd</sup> Place: Losers of #6 & #8
Match 11	5:00 PM		Championship: Winners of #6 & #8

### III. ROSTERS, TEAM PICTURES & PHOTO CAPTION

Schools with teams that have secured or are in contention for a tournament berth are required to submit team rosters, team photo and photo caption via e-mail to [iwamoto@hhsaa.org](mailto:iwamoto@hhsaa.org) and [faith@tradepublishing.com](mailto:faith@tradepublishing.com). (All three items must be sent to both e-mail addresses)

The official roster form can be downloaded at [www.sportshigh.com](http://www.sportshigh.com). Only official roster forms will be accepted and the roster MUST be e-mailed to the above e-mail addresses. Please be sure to save the rosters, photos and captions with your school name (do not abbreviate, i.e. KHS, MHS, WHS, etc.). Also, please put your school name and sport in the subject line of the e-mail.

Team pictures submitted on disk or via e-mail are required to be **300 dpi or greater**. Otherwise, a hard copy of the team picture is required and must be mailed or hand delivered to the below address. Photo captions identifying individuals (left to right and by row) must be e-mailed or delivered to Trade Publishing in a digital format (i.e. saved on a CD, flash drive).

Trade Publishing Co.  
 Attn: Faith Freitas (Ph: 848-0711)  
 287 Mokauea Street  
 Honolulu, HI 96819

**DEADLINE: WEDNESDAY, MAY 4, 2011, NOON**

### IV. Coaches' Meeting

Head coaches of all participating teams or their designees are **required to attend** the coaches' meeting for your respective division on the following dates and times:

Division I: Wednesday, May 11, 2:00 p.m. at Keau High School gym  
 Division II: Thursday, May 12, 2:00 p.m. at McKinley High School Hirata Hall

## **V. Code-of-Conduct**

- A. The coach shall have direct responsibility for the conduct of team members prior to, during, and after tournament competition (in the hotel, in public, at the tournament, transportation to and from sites).
- B. The HHSAA Executive Director may establish a common curfew hour as needed.
- C. The drinking of alcoholic beverages, smoking, drug use, loud, unruly or destructive behavior will not be tolerated.
- D. Coaches are requested to inform their athletes of hotel rules and regulations. Please emphasize the importance of appropriate conduct and behavior and consideration for other guests at the hotel. Schools and students will be charged for damages incurred by them at the hotel.
- E. It is recommended that schools inform parents regarding Code-of-Conduct in writing.



**DIVISION I Boys Volleyball State Championships**  
 May 11-14, 2011 – Kea`au & Waiakea High Schools  
 Presented by the Hawaii High School Athletic Association

Saturday  
May 14

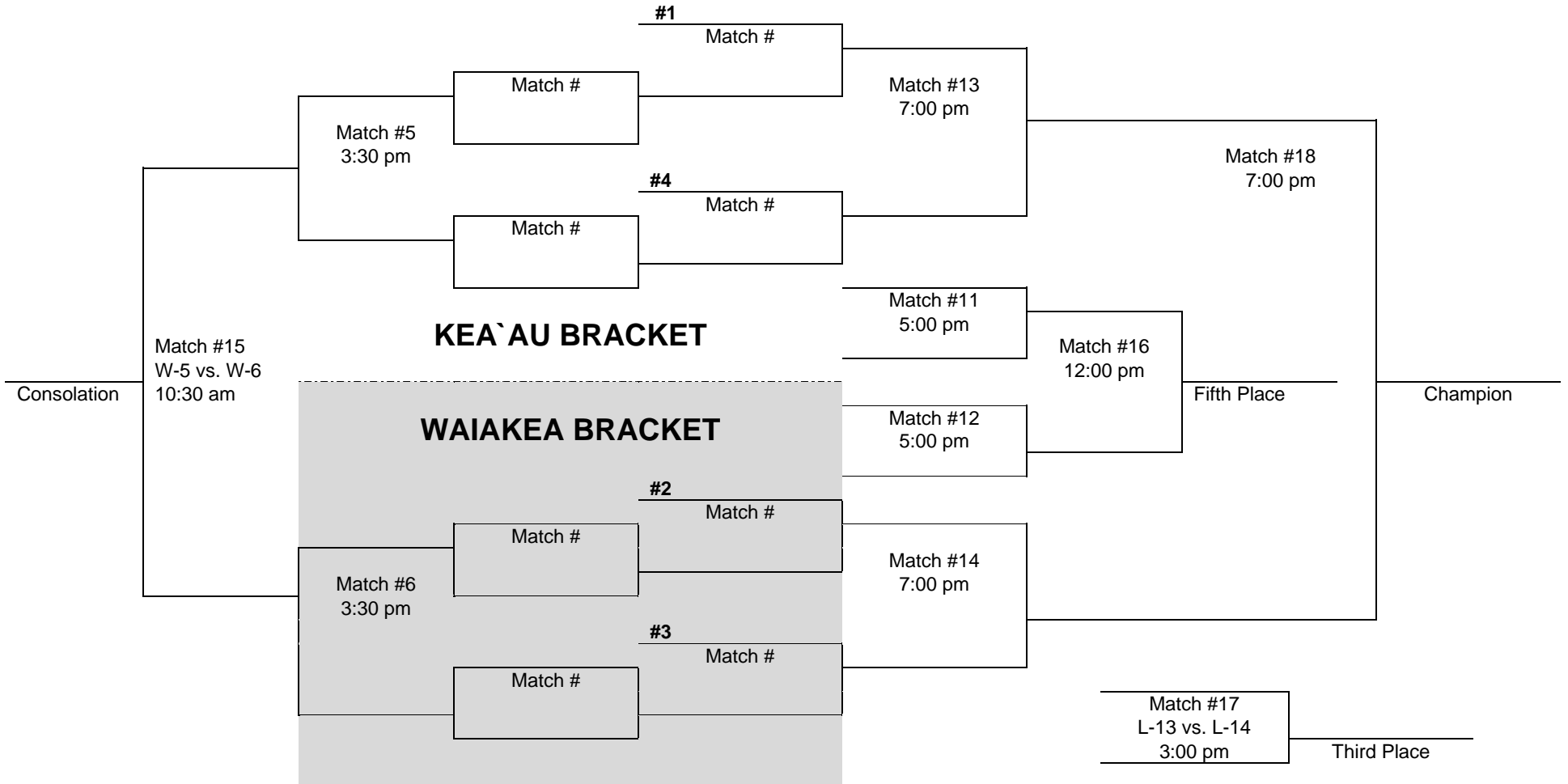
Thursday  
May 12

Wednesday  
May 11

Thursday  
May 12

Friday  
May 13

Saturday  
May 14





**DIVISION II Boys Volleyball State Championships**  
 May 12-14, 2011 –McKinley High & Maryknoll School  
 Presented by the Hawaii High School Athletic Association

Saturday,  
May 14

Friday  
May 13

Thursday  
May 12

Friday,  
May 13

Saturday  
May 14

Saturday  
May 14

#1

Match #

Match #5  
5:00 pm

Match #6  
7:00 pm

#4

Match #

Match #11  
5:00 pm  
McKinley H.S.

Match #9  
1:30 pm  
McKinley H.S.

**McKINLEY BRACKET**

Match #10  
3:00 pm  
McKinley H.S.

Third Place

Champion

5<sup>th</sup> Place

**MARYKNOLL BRACKET**

#2

Match #

Match #7  
6:00 pm

Match #8  
7:30 pm

#3

Match #

## VOLLEYBALL TOURNAMENT

### I. Specific Objectives

- A. To select state volleyball champions for boys and girls through tournament competition.
- B. To recognize the combined efforts of all the participating teams in the tournament.
- C. To encourage the highest principles and standards of general behavior.
- D. To emphasize respect for opponents relative to organized cheering activities.
- E. To promote the highest principles of citizenship in tournament games.

### II. Officials

#### A. Qualifications

1. Attend pre-tournament officials' clinic.
2. Evidence of having passed the National Federation Volleyball Rules Examination.
3. Officials are required to have officiated in league matches during the current season in order to qualify for the state tournament.

#### B. Selection and Assignment

1. The Sport Coordinator and the league Executive Directors shall select the tournament officials with the approval of the HHSAA Executive Director.
2. The Sport Coordinator and the participating leagues' officials' advisor shall prepare the scheduling of officials for all tournament games. For the championship games, four linesmen, one umpire, one referee, one scorer and one assistant scorekeeper shall be assigned. Games preceding the championship games shall have two linesmen.

#### C. Financial Allowance

All officials shall be compensated in accordance with HHSAA rates.

#### D. Uniform

All state tournament officials/umpires shall wear uniforms in accordance with their sport's NFHS rules/guidelines/recommendations. In the absence of any NFHS rules/guidelines/recommendations, the sport's HHSAA Sport Coordinator shall have the final say as to the appropriateness of a state tournament official's/umpire's uniform.

### III. Eligibility

- A. Each participant must be eligible under the rules of his/her league and also under the requirements as specified by HHSAA.

### IV. Rules Governing Tournament

- A. National Federation volleyball rules shall govern the tournament, with HHSAA modifications as needed.
  1. All championship bracket matches shall be best three out of five games. All consolation matches shall be best two out of three games.
  2. Rally scoring to 25 points for all games, must win by two points in each game. (Exception: Any game five of championship bracket matches shall be rally scoring to 15 points, must win by two points.) No point cap in any game.
  3. Let serve to be allowed.

4. Incorporate the libero position, pursuant to NFHS and HHSAA approved guidelines.

**B. Interpretations and Appeals**

1. Decisions concerning facts—Decisions by officials concerning facts are final and not subject to protest.
2. Rule interpretation disagreement—If a playing captain or head coach disagrees with the interpretation of a rule, he/she may call this to the attention of the referee, but must do so immediately.
3. Inform referee and committee of appeals—When a coach plans to appeal the interpretation of a rule, he/she shall immediately inform the referee and through some representative present the protest and facts to the proper committee. The referees will make an immediate decision or let the Officials' Coordinator make the decision and it will be final.

**V. Tournament Representation**

A. Number of Participating Teams in League \_\_\_\_\_ X Number of Teams in State Tournament  
 -----  
 Number of Participating Teams in State

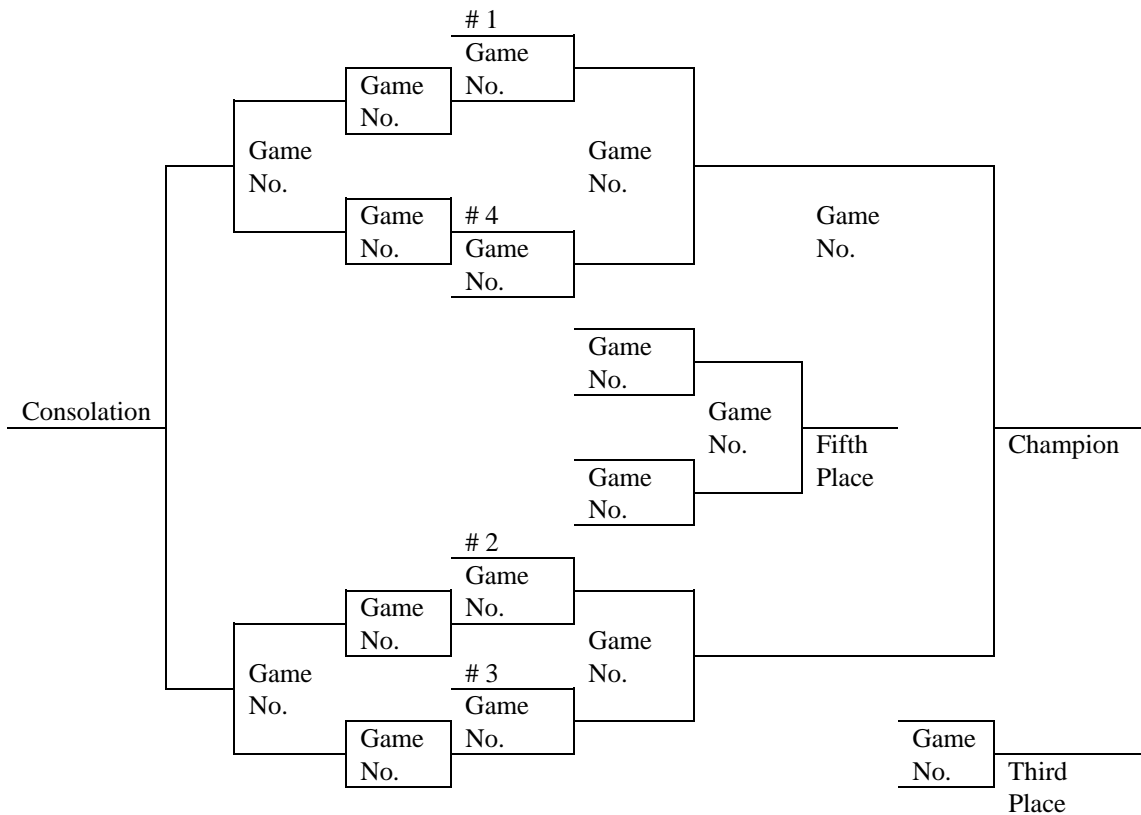
B. Pac-Five teams are eligible to participate in the following HHSAA state tournaments: football, boys soccer, girls soccer, canoe paddling, girls water polo, and baseball. Also, the MIL's Pac-Three football team is eligible to participate in the HHSAA state football tournament.

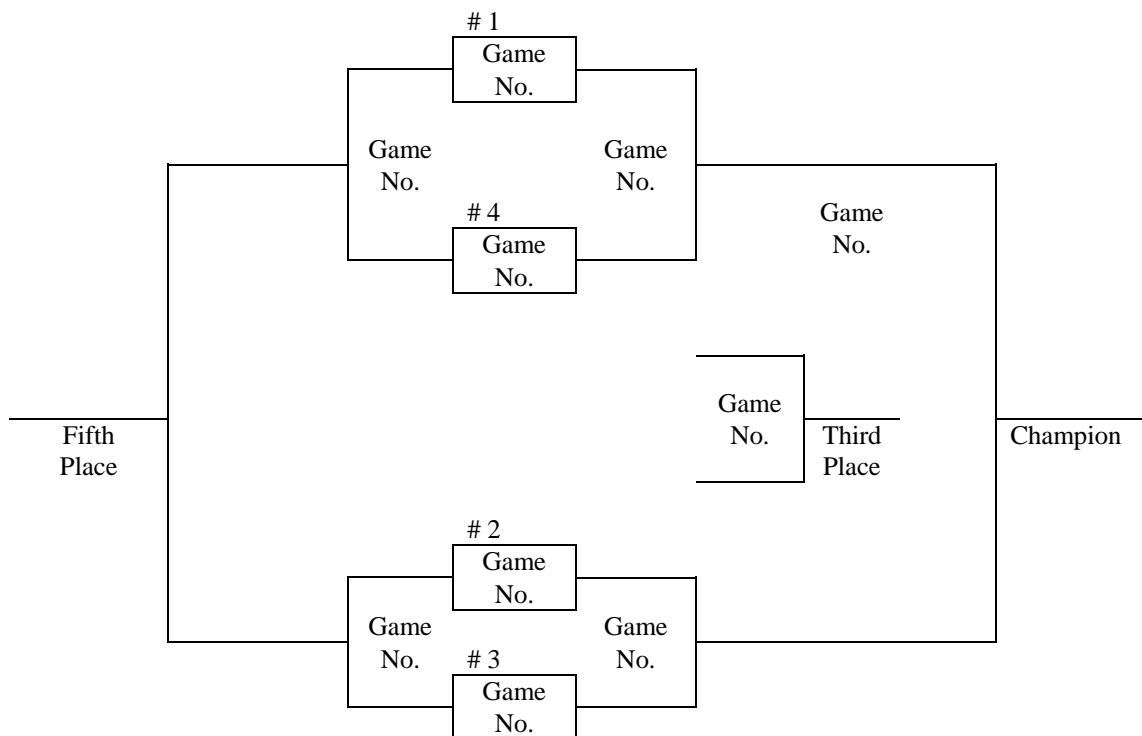
C. For team-only state tournaments, a combination team shall be counted in the league representation formula as long as one of the schools in the combination team has a minimum number of players, as follows:

Volleyball – 6, Football – 11, Softball – 9, Soccer – 11, Basketball – 5, Baseball – 9, Canoe Paddling – 6, Water Polo – 7

D. For team-only state tournaments, if a combination team qualifies for a state tournament, only players from one of the schools with the above listed minimum number shall be allowed to participate in the state tournament.

**VI. Tournament Format**





**VII. Size of Team in Tournament**

Schools may bring an unlimited number of players accompanied by authorized coaches. Names of coaches and players must be listed on the official tournament roster form.

**VIII. Pairing**

- A. Seeding/Pairings shall be done by the Tournament Seeding/Pairing Committee and provided to the Radio, TV and News media.

Seeding/Pairing Committee

1. HHSAA Executive Director, Chairperson
  2. Sport Coordinators
  3. Tournament Director
  4. Others as selected by the Sport Coordinator
- B. Byes shall be granted to four champions from the five leagues according to their demonstrated strength (and seeded one to four accordingly).
  - C. The #2 and #3 teams of a league (where applicable) shall be placed in the opposite bracket from the league's seeded champion.
  - D. The #4 and #5 teams of a league (where applicable) shall be placed in the same bracket as the seeded league champion.
  - E. Pairings shall be made so that teams from the same league do not meet in the first round. The only exception shall be when a league with five or more representatives has the unseeded champion.
  - F. The unseeded league champion (where applicable) shall be paired whenever possible with a #3, #4, #5, or a #6 place team from another league.
  - G. Whenever possible, the top-seeded and second-seeded league champions shall play the winner of the first round game involving the lowest-finishing league qualifier (e.g., OIA #5) in their half of the tournament bracket.

- H. The tournament seeding/pairings committee shall have the authority to modify any of the above guidelines if necessary.

**IX. Tournament Ball**

The official tournament ball shall be the Spalding Top-Flite volleyball.

**X. Uniforms**

- A. Identical school designated uniform.
- B. Shoes must be worn as part of the uniform.
- C. National Federation uniform rules to prevail.

**XI. Awards and Trophies**

- A. Permanent trophies for boys and girls championship teams.
- B. Second place trophies for runner-up boys and girls teams.
- C. 15 medals for the championship team members.
- D. 15 medals for runner-up team members.
- E. Schools may order extra medals for team members at their own expense.

**XII. Evaluation**

An evaluation report and results of the tournament are to be submitted to the HHSAA Executive Director within two weeks after the tournament.

**XIII. Admission**

Adults	\$7.00
Senior Citizens (ages 62 and over)	\$5.00
Students (Grades K-12)	\$5.00

# SOUVENIR T-SHIRT PRE-TOURNAMENT ORDER FORM



\_\_\_\_\_ School requests the following sizes of the 2011 volleyball state championships souvenir t-shirts at \$15.00 per shirt and souvenir tournament programs at \$7.00 per program.

Size	Quantity	Price/T-shirt	Total
<b>Small</b>		\$15.00	
<b>Medium</b>		\$15.00	
<b>Large</b>		\$15.00	
<b>X-Large</b>		\$15.00	
<b>XX-Large</b>		\$15.00	
<b>State Tournament Program</b>		\$7.00	
		<b>GRAND TOTAL</b>	

Please make check payable to: Hawaii High School Athletic Association  
 Send preorders your designated tournament's host school by Tuesday, May 10, 2011, to ensure delivery at the pretournament coaches meeting. Checks payable to HHSAA may be sent with preorders or brought to the coaches' meeting/tournament.

<p><b>Division I:</b>                  Iris McGuire, Athletic Director                  Keaau High School                  16-725 Keaau-Pahoa Road                  Keaau, Hawaii 96749                  Ph: 982-4220 · Fax: 982-4224                  E-mail: iris_mcguire@notes.k12.hi.us</p>
<p><b>Division II:</b>                  Neal Takamori, Athletic Director                  McKinley High School                  1039 S. King Street                  Honolulu, Hawaii 96814                  Ph: 594-0418 · Fax: 594-0502                  E-mail: neal_takamori@notes.k12.hi.us</p>

Contact person: _____ Phone: _____ School: _____ Check one: <input type="checkbox"/> Check placed in mail <input type="checkbox"/> Will drop off at coaches meeting
--

**HHSAA VOLLEYBALL TOURNAMENT CHAMPIONS - BOYS**

<u>Year</u>	<u>Champion</u>	<u>League</u>	<u>Coach</u>
1969	Hilo	BIIF	Pete Nelson
1970	Farrington	OIA	Sam Koanui
1971	Farrington	OIA	Sam Koanui
1972	Punahou	ILH	Chris McLachlin
1973	Punahou	ILH	Chris McLachlin
1974	Punahou	ILH	Chris McLachlin
1975	Punahou	ILH	Chris McLachlin
1976	Punahou	ILH	Jim Iams, Jr.
1977	Roosevelt	OIA	Robin Goo
1978	Roosevelt	OIA	Robin Goo
1979	Roosevelt	OIA	Robin Goo
1980	Punahou	ILH	Jim Iams
1981	Punahou	ILH	Jim Iams
1982	Punahou	ILH	Chris McLachlin
1983	Punahou	ILH	Chris McLachlin
1984	Punahou	ILH	Chris McLachlin
1985	Punahou	ILH	Chris McLachlin
1986	Punahou	ILH	Chris McLachlin
1987	Punahou	ILH	Chris McLachlin
1988	Punahou	ILH	Chris McLachlin
1989	Punahou	ILH	Peter Balding
1990	Punahou	ILH	Peter Balding
1991	Kamehameha	ILH	Reydan Ahuna
1992	Punahou	ILH	Scott Rigg
1993	Kamehameha	ILH	Reydan Ahuna
1994	Punahou	ILH	Lyman Lacro
1995	Punahou	ILH	Lyman Lacro
1996	Punahou	ILH	Lyman Lacro
1997	Punahou	ILH	Scott Rigg
1998	Punahou	ILH	Scott Rigg
1999	Punahou	ILH	Scott Rigg
2000	Punahou	ILH	Scott Rigg
2001	Kamehameha	ILH	Pono Maa
2002	Kamehameha	ILH	Pono Maa
2003	Iolani	ILH	Luis Ramirez
2004	Punahou	ILH	Peter Balding

**DIVISION I**

<u>Year</u>	<u>Champion</u>	<u>League</u>	<u>Coach</u>
2005	Punahou	ILH	Peter Balding
2006	Punahou	ILH	Peter Balding
2008	Iolani	ILH	Mike Among
2009	Punahou	ILH	Rick Tune
2010	Punahou	ILH	Rick Tune

**DIVISION II**

<u>Year</u>	<u>Champion</u>	<u>League</u>	<u>Coach</u>
2005	Kapaa	KIF	Merrill Carvalho
2006	Maryknoll	ILH	Shawn Doo
2008	Hawaii Baptist	ILH	Teoni Obrey
2009	Hawaii Baptist	ILH	Teoni Obrey
2010	Seabury Hall	MIL	Caleb Palmer

\* There is no 2007 champion as the boys volleyball season was moved from the fall to the spring in the 2007-08 school year.